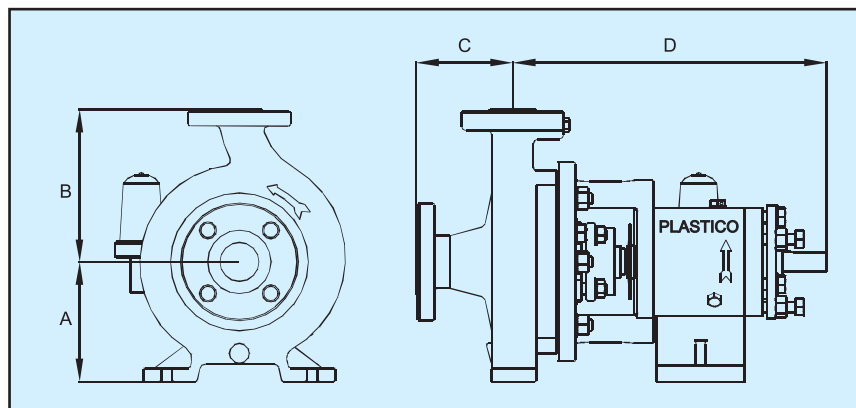
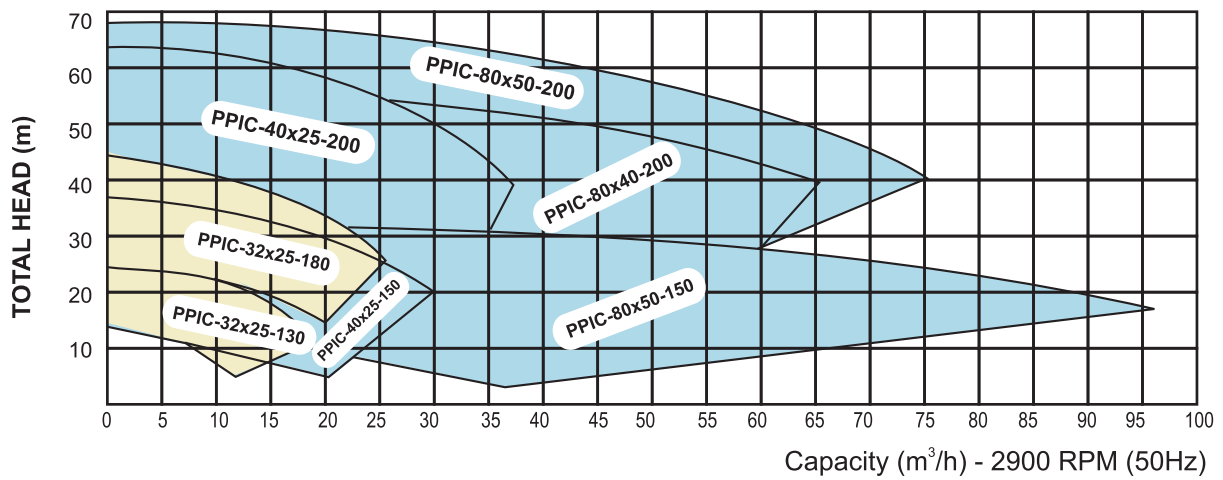
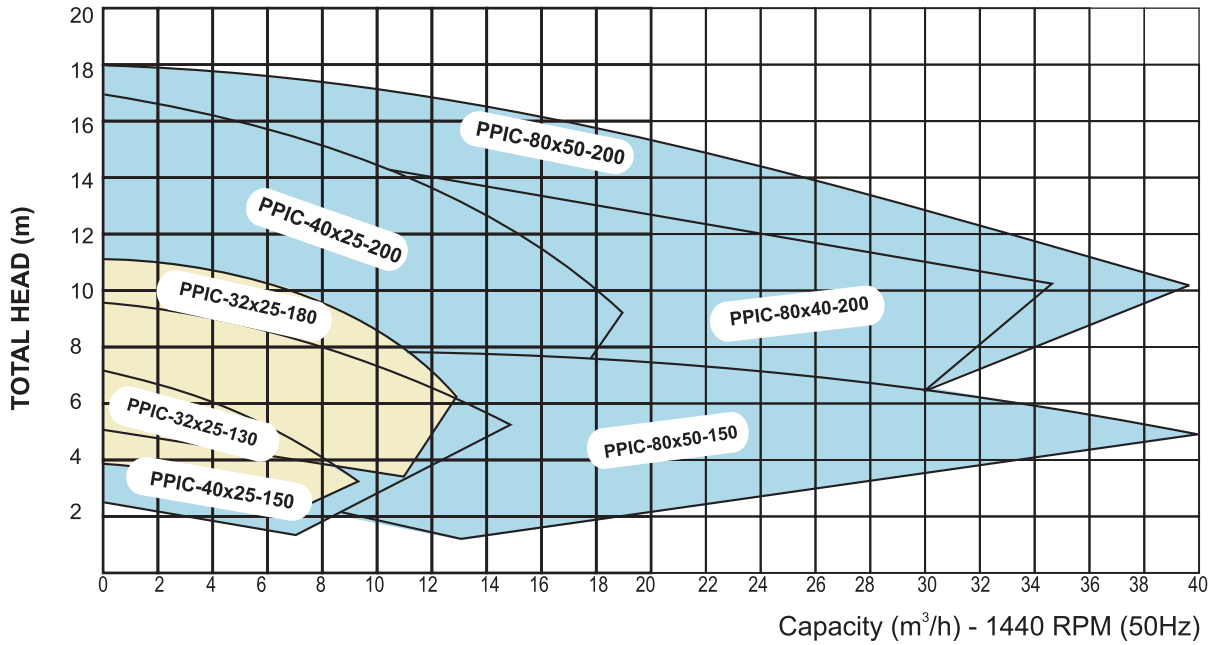




PPIC SERIES



Note : Performance applicable to liquid of specific gravity 1 and viscosity as of water.